



Features

- Solid-state brushless motor design provides:
 - Improved performance
 - High efficiency
 - Auto restart
 - Low input power
 - Lower operating voltages
- Precision ball bearing system provides:
 - Longer life
 - Higher temperature extremes
 - Lower noise over time
 - Maximum shock and vibration resistance
- Designed to meet the rigid standards of UL, CSA, and CE.

Accessories:
Finger guards

General Specifications

- Frame:** Die-cast aluminum painted black for moisture and corrosion resistance
- Impeller:** Reinforced polybutylene plastic (UL94V-0 rating)
- Bearings:** Precision, life-lubricated ball bearings
- Insulation:** Class A integral ground system rated @ 248°F (120°C)
- Weight:** 20.5 ozs. (580 grams)
- Operating Temperature Range:** 14° to 158°F (-10° to 70°C)
- Insulation Resistance:** 10 megohms minimum @ 500 VDC
- Dielectric Strength:** 700 VAC for 3 seconds
- Safety Protection:** Electronic locked rotor protected; polarity protected
- Life Expectancy:** 75,000 hours minimum @ 77°F (25°C)

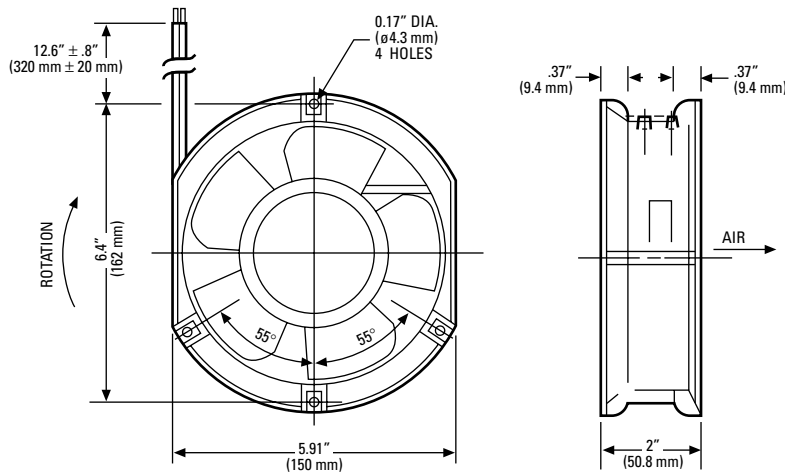
Approvals



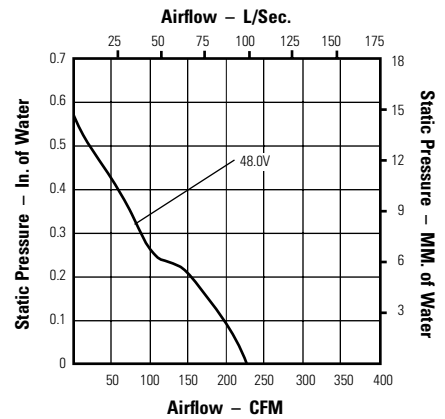
UL File No.
E105397



CSA File No.
72877



Performance at Sea Level



All operating specifications measured at nominal operating voltage, free air at sea level

12, 24, and 48 volt performance is identical

RED LEAD IS POSITIVE (+)
BLACK LEAD IS NEGATIVE (-)

Globe Motors Part Number	Nominal Voltage VAC	Voltage Operating Range VDC	Watts	Line Amps	RPM	Acoustic Noise dBA	Airflow (Min.)	
							CFM	Liters per Second
D59-B20A-04W4-000	12	6.0 / 18.0	17.28	1.44	3350	58	240	113.3
D59-B20A-05W4-000	24	12.0 / 30.0	15.84	0.66	3350	58	240	113.3
D59-B20A-07W4-000	48	25.0 / 60.0	15.84	0.33	3350	58	240	113.3